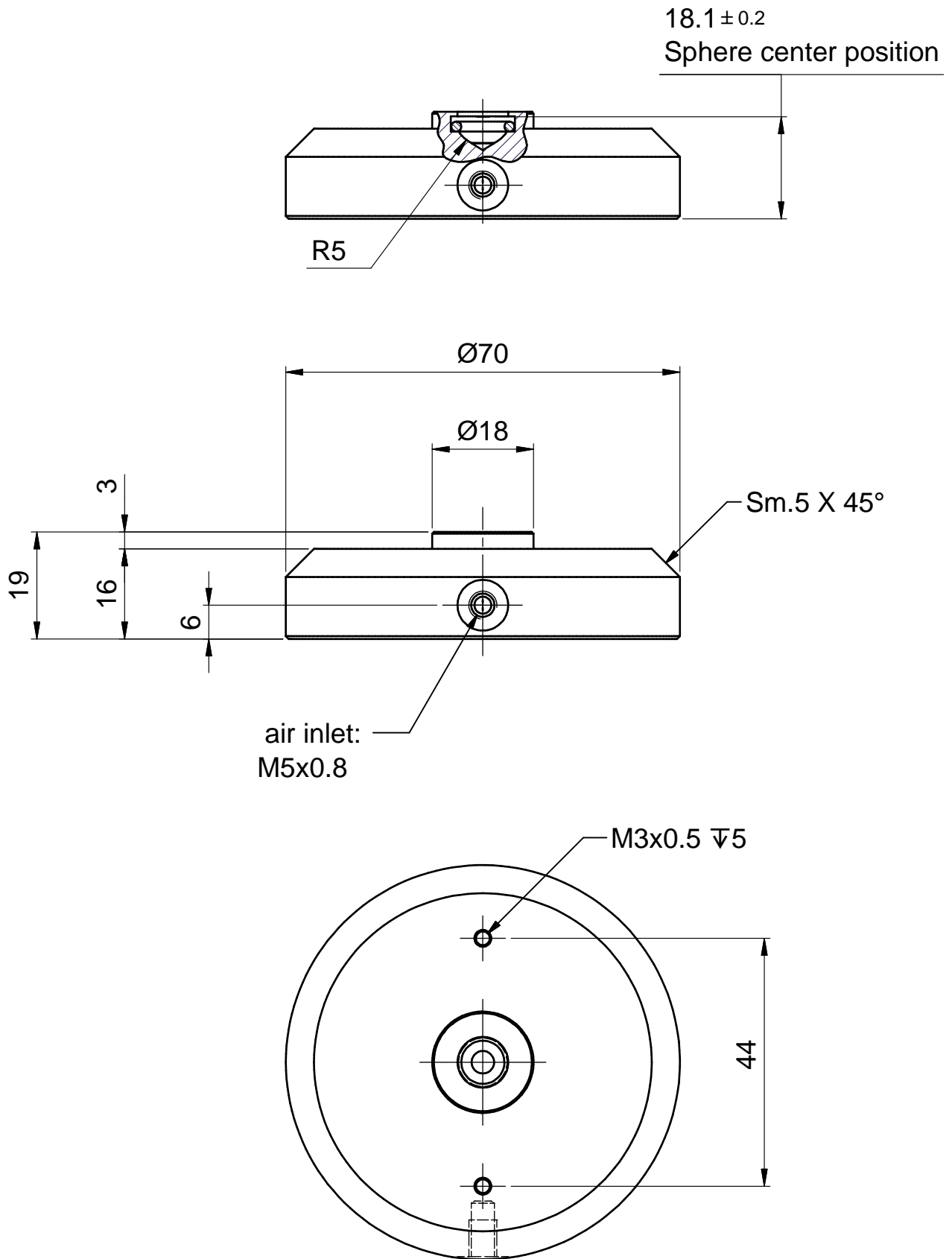


THIS DRAWING AND SPECIFICATION ARE PROPERTY OF MAGER S.p.A. AND MUST NOT BE REPRODUCED OR USED IN WHOLE OR IN PART WITHOUT WRITTEN PERMISSION FROM MAGER



MAGER s.r.l.
air bearings

HPC2.2 D070x19.0 A-OI05.0-11M5-2M3-00

CODICE
WF10200P04000

MODIFICA

UNITA' DIM.
mm

MASSA
N/A

SCALA
1:1

