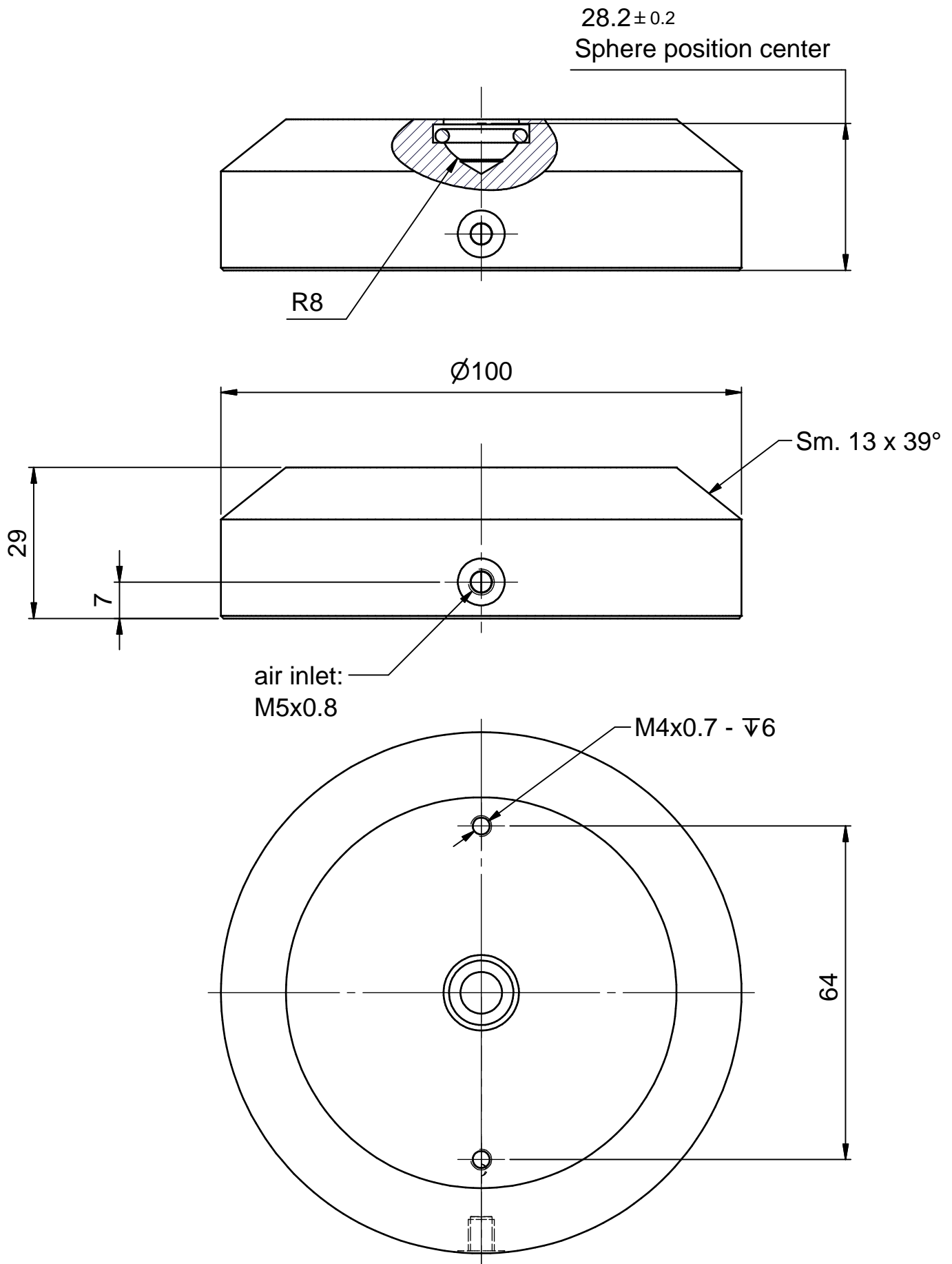


THIS DRAWING AND SPECIFICATION ARE PROPERTY OF MAGER S.p.A. AND MUST NOT BE REPRODUCED OR COPIED OR USED IN WHOLE OR IN PART WITHOUT WRITTEN PERMISSION FROM MAGER



**MAGER**

s.r.l.

air bearings

HPC3.2 D100x29.0 A-OI08.0-I3M5-3M4-00

CODICE

WF10200P08000

MODIFICA

UNITA' DIM.

mm

MASSA

0,559 kg

SCALA

1:1

