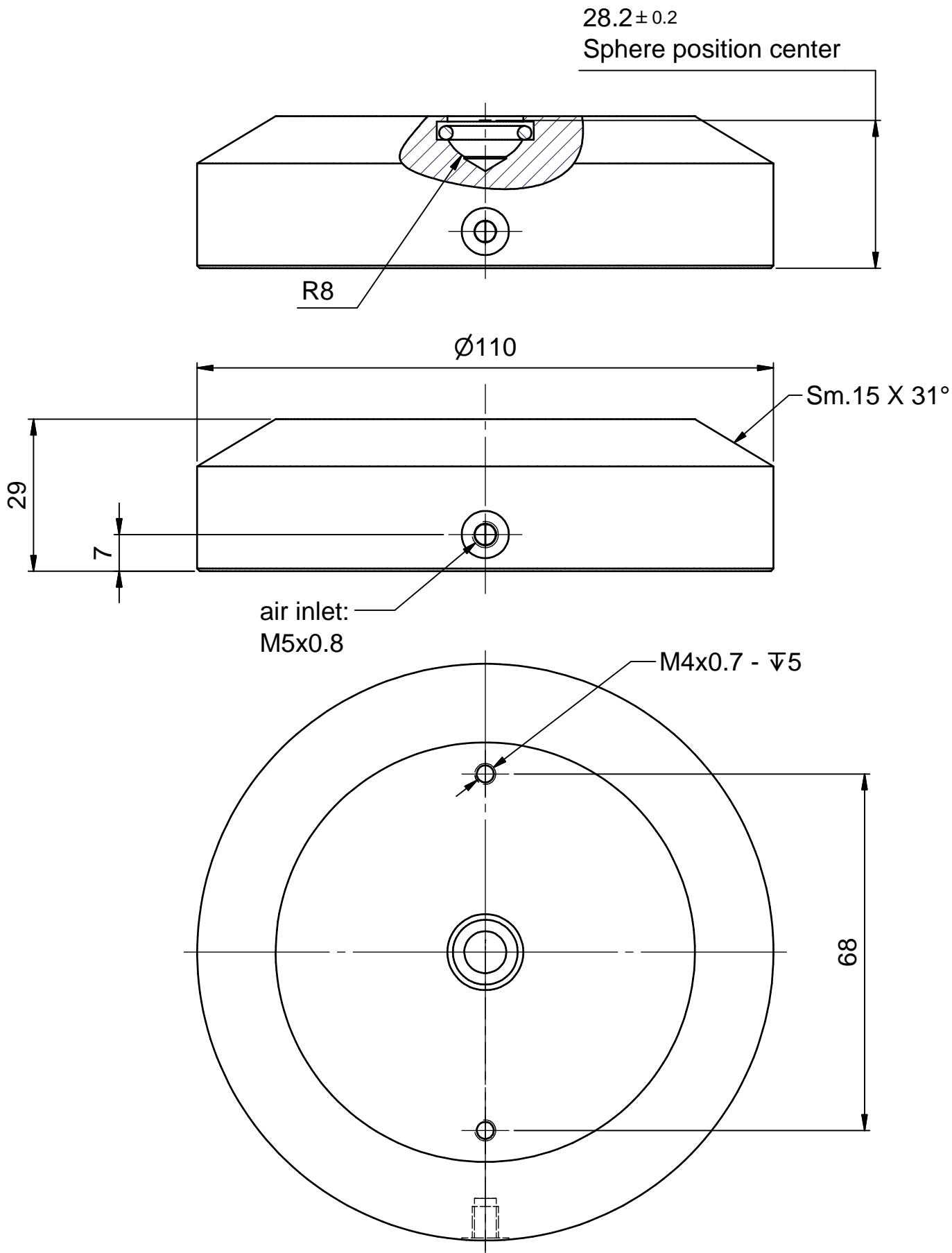


THIS DRAWING AND SPECIFICATION ARE PROPERTY OF MAGER S.p.A. AND MUST NOT BE REPRODUCED OR COPIED OR USED IN WHOLE OR IN PART WITHOUT WRITTEN PERMISSION FROM MAGER



MAGER

s.r.l.

air bearings

HPC3.4 D110x29.0 A-OI08.0-I3M5-3M4-00

CODICE

WF10200P09000

MODIFICA

UNITA' DIM.

mm

MASSA

0,679 kg

SCALA

1:1

