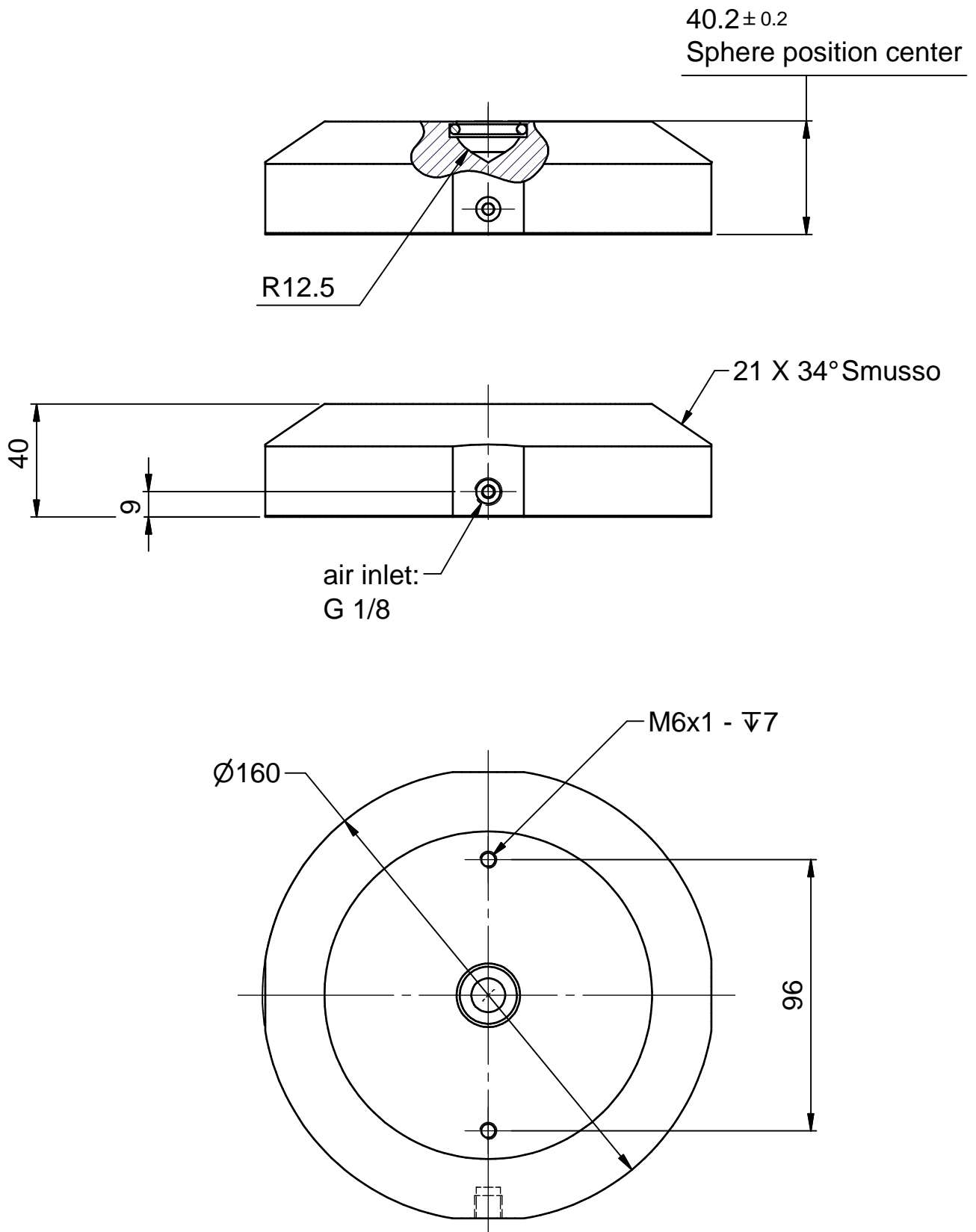


THIS DRAWING AND SPECIFICATION ARE PROPERTY OF MAGER S.p.A. AND MUST NOT BE REPRODUCED OR COPIED OR USED IN WHOLE OR IN PART WITHOUT WRITTEN PERMISSION FROM MAGER



MAGER

s.r.l.

air bearings

HPC4.2 D160x40.0 A-OI12.5-I4G8-2M6-00

CODICE

WF10200P11000

MODIFICA

UNITA' DIM.

mm

MASSA

N/A

SCALA

1:2

