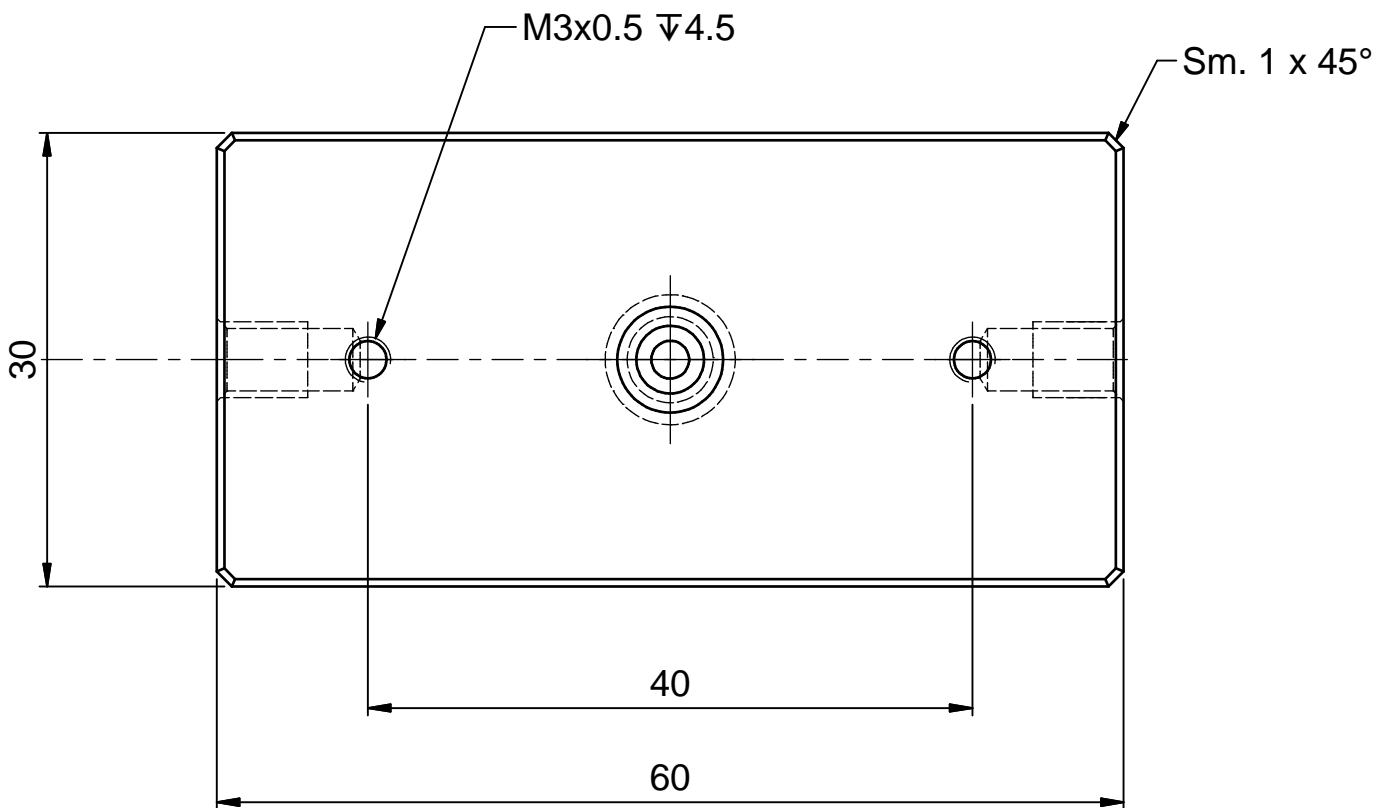
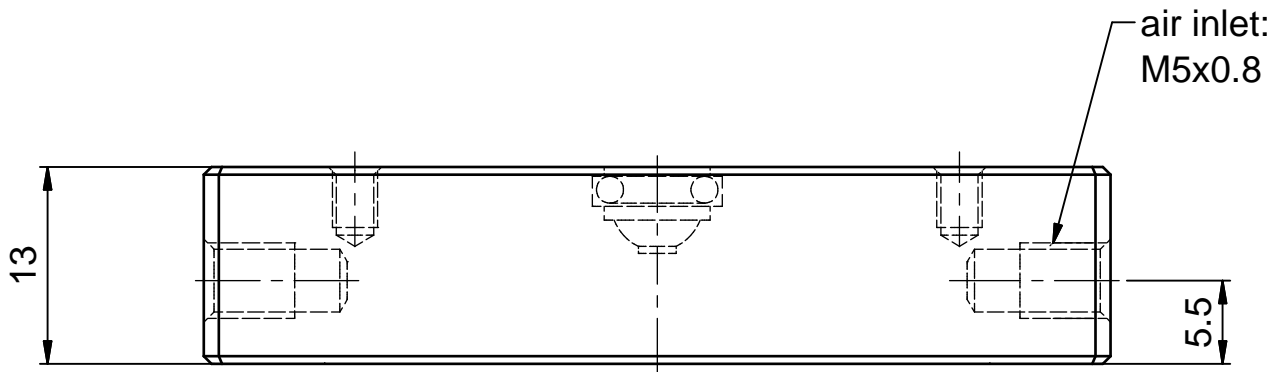
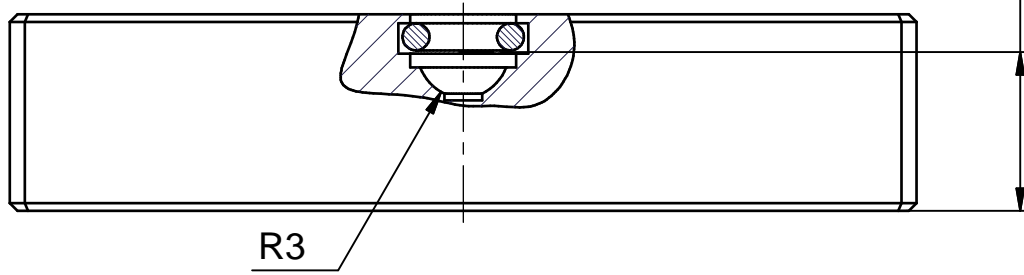


THIS DRAWING AND SPECIFICATION ARE PROPERTY OF MAGER S.p.A. AND MUST NOT BE REPRODUCED OR COPIED OR USED IN WHOLE OR IN PART WITHOUT WRITTEN PERMISSION FROM MAGER

10.5±0.2
Sphere position center



MAGER s.r.l.
air bearings

HPR1.4 030x060x13.0A-OI03.0-I2M5-2M3-01

CODICE
WF10100P03000

MODIFICA

UNITA' DIM.
mm

MASSA
0,062 kg

SCALA
2:1

