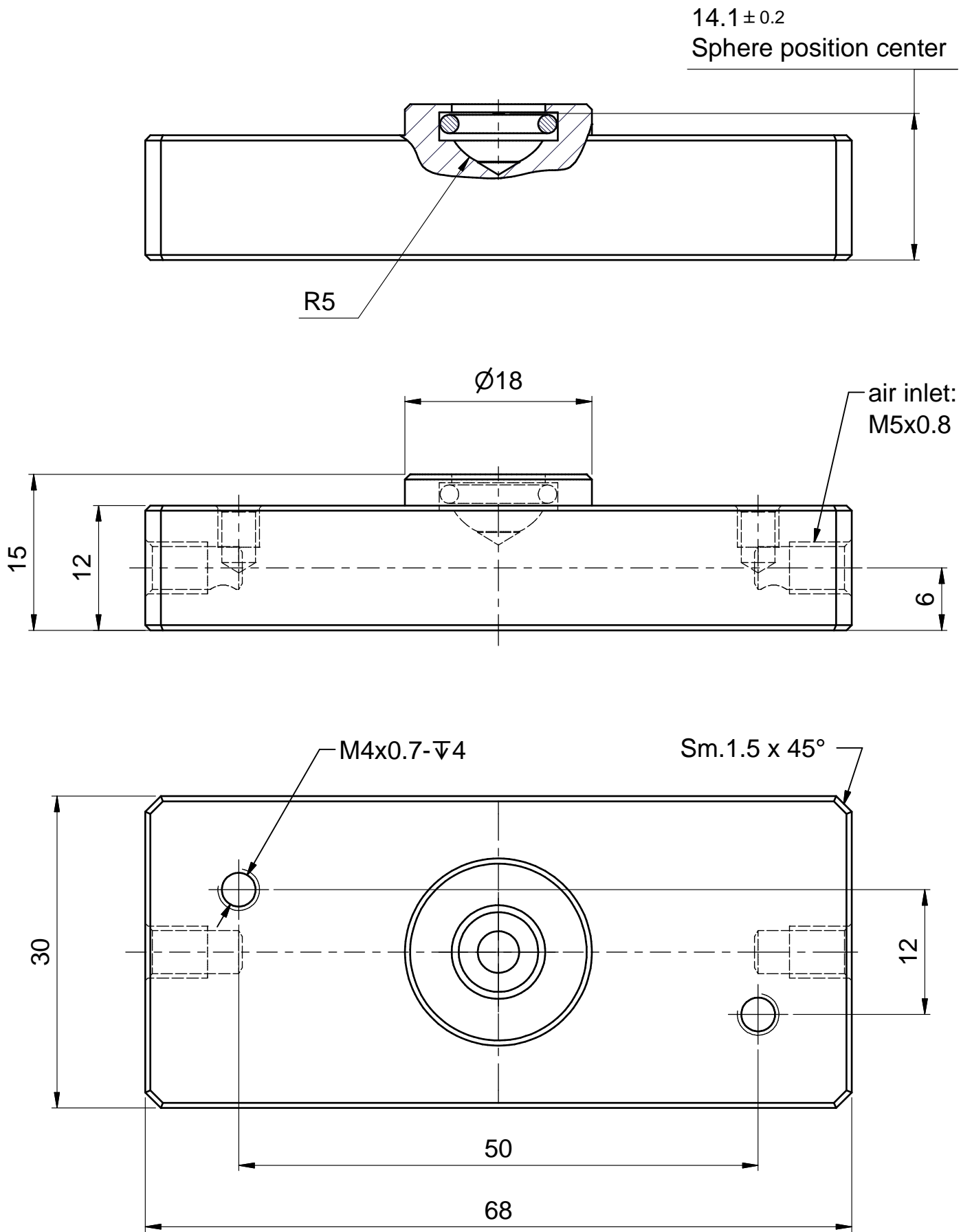


THIS DRAWING AND SPECIFICATION ARE PROPERTY OF MAGER S.p.A. AND MUST NOT BE REPRODUCED OR COPIED OR USED IN WHOLE OR IN PART WITHOUT WRITTEN PERMISSION FROM MAGER



**MAGER** s.r.l.  
air bearings

HPR2.0 030x068x15.0A-OI05.0-I2M5-2M4-00

CODICE  
WF10100P04000

MODIFICA

UNITA' DIM.  
mm

MASSA  
0,065 kg

SCALA  
2:1

