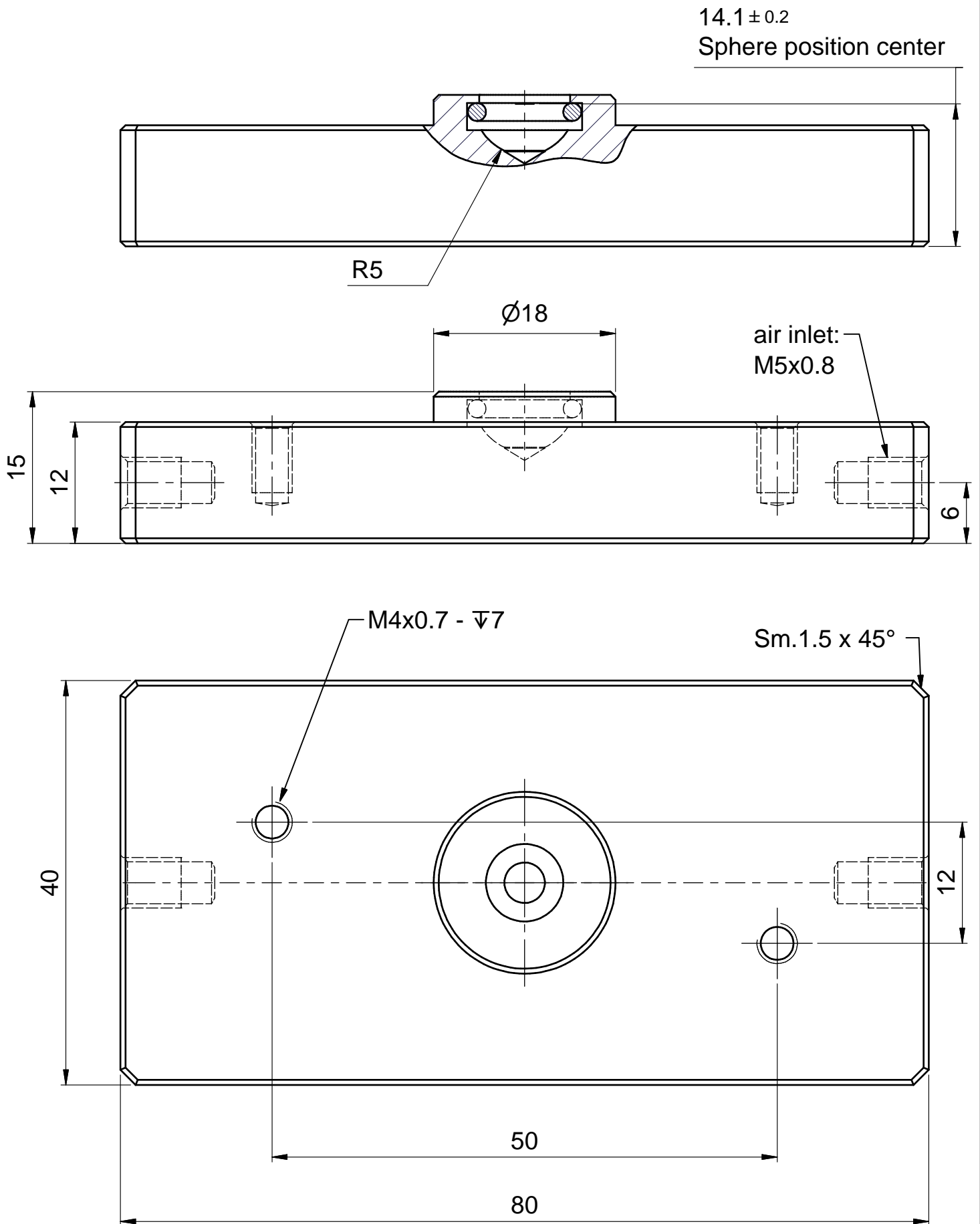


THIS DRAWING AND SPECIFICATION ARE PROPERTY OF MAGER S.p.A. AND MUST NOT BE REPRODUCED OR COPIED OR USED IN WHOLE OR IN PART WITHOUT WRITTEN PERMISSION FROM MAGER



MAGER s.r.l.
air bearings

HPR2.4 040x080x15.0A-OI05.0-I2M5-2M3-00

CODICE
WF10100P06000

MODIFICA

UNITA' DIM.
mm

MASSA
0.102 kg

SCALA
2:1

