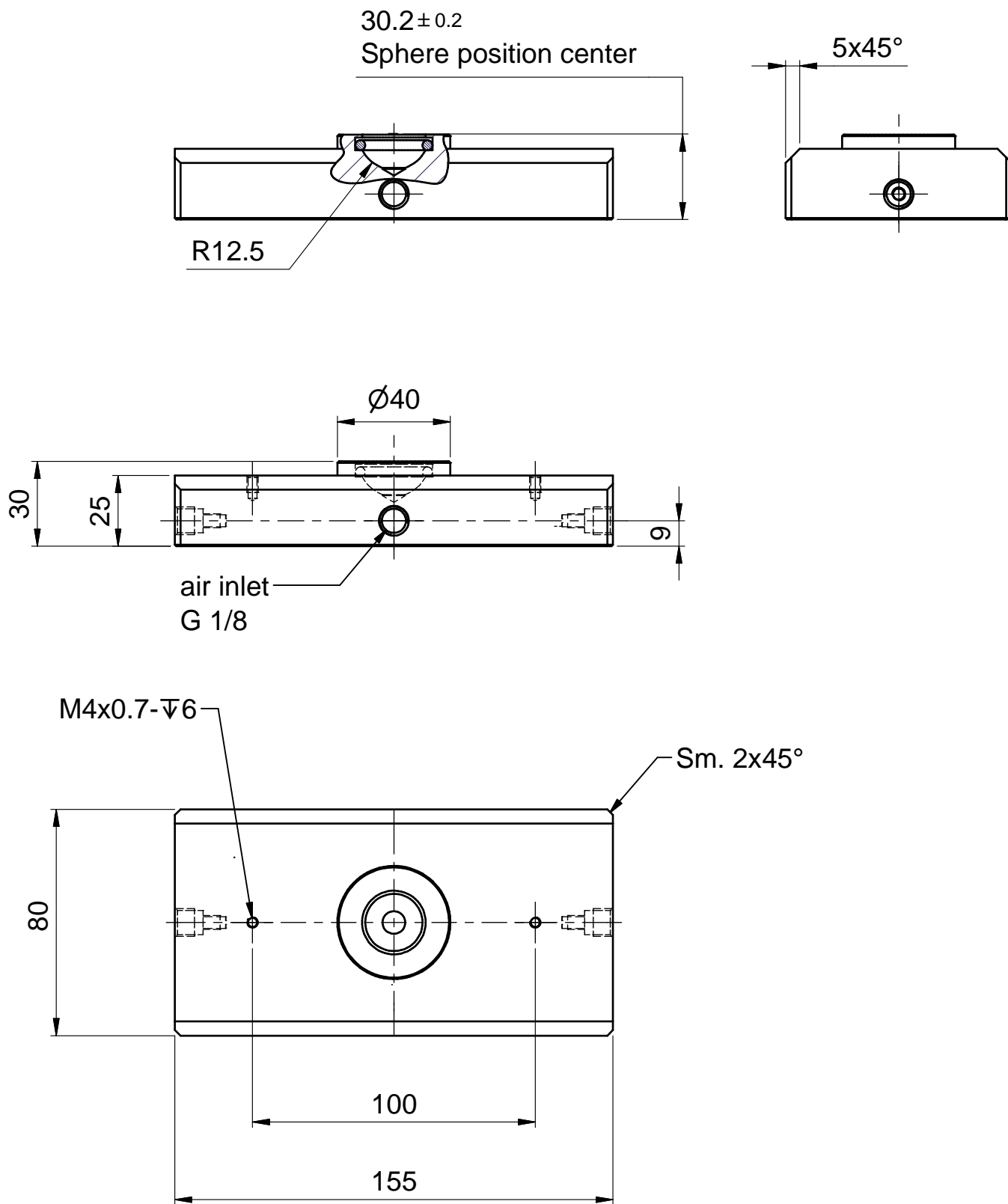



THIS DRAWING AND SPECIFICATION ARE PROPERTY OF MAGER S.p.A. AND MUST NOT BE REPRODUCED OR COPIED OR USED IN WHOLE OR IN PART WITHOUT WRITTEN PERMISSION FROM MAGER



 <b>MAGER</b> s.r.l. air bearings	HPR4.0 080x155x30.0A-OI12.5-I3G8-2M4-00				
	CODICE	MODIFICA	UNITA' DIM.	MASSA	SCALA
WF10100P14500		mm	0,823 kg	1:2	