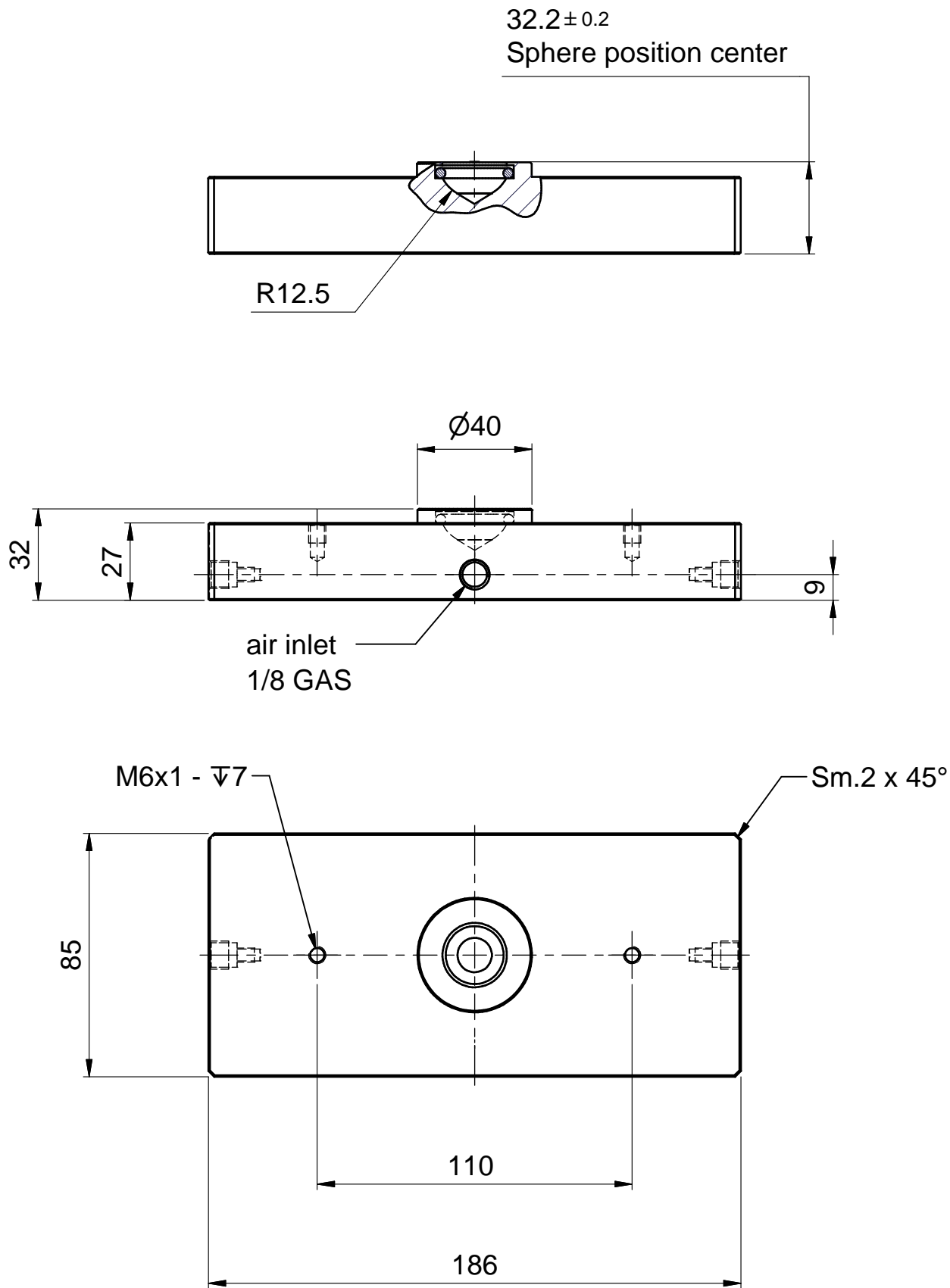


THIS DRAWING AND SPECIFICATION ARE PROPERTY OF MAGER S.p.A. AND MUST NOT BE REPRODUCED OR COPIED OR USED IN WHOLE OR IN PART WITHOUT WRITTEN PERMISSION FROM MAGER



MAGER s.r.l.
air bearings

HPR4.2 085x186x32.0A-OI12.5-I3G8-2M6-00

CODICE
WF10100P15000

MODIFICA

UNITA' DIM.
mm

MASSA
1,147 kg

SCALA
1:2

