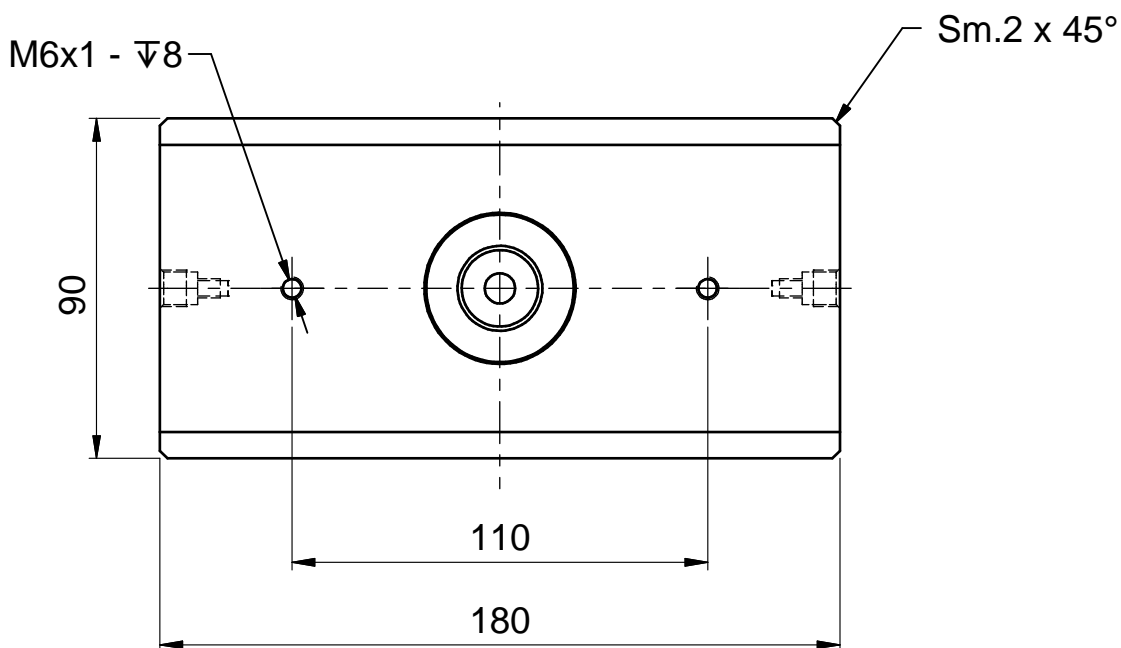
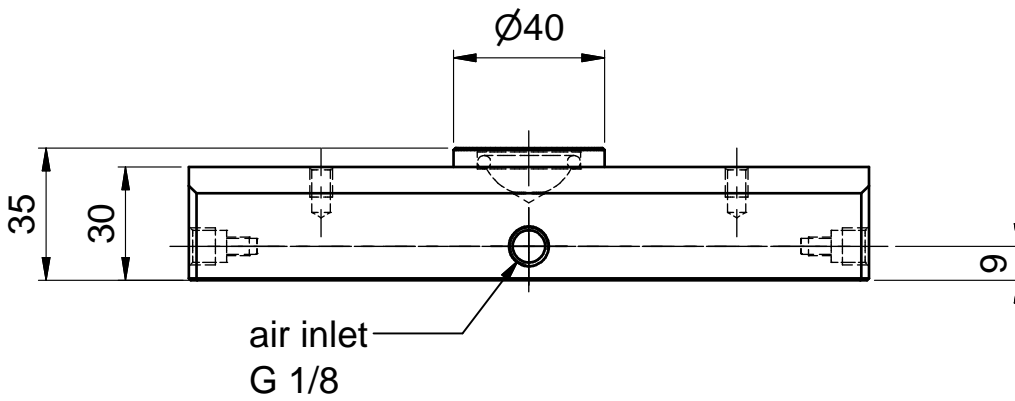
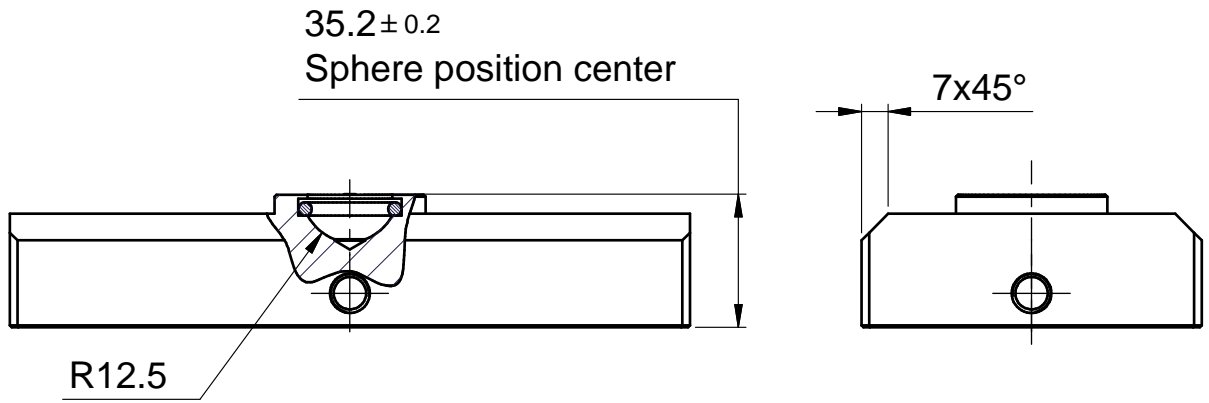


THIS DRAWING AND SPECIFICATION ARE PROPERTY OF MAGER S.p.A. AND MUST NOT BE REPRODUCED OR COPIED OR USED IN WHOLE OR IN PART WITHOUT WRITTEN PERMISSION FROM MAGER



**MAGER** s.r.l.  
air bearings

HPR4.4 090x180x35.0A-OI12.5-I3G8-2M6-01

CODICE  
WF10100016000

MODIFICA

UNITA' DIM.  
mm

MASSA  
1,284 kg

SCALA  
1:2

