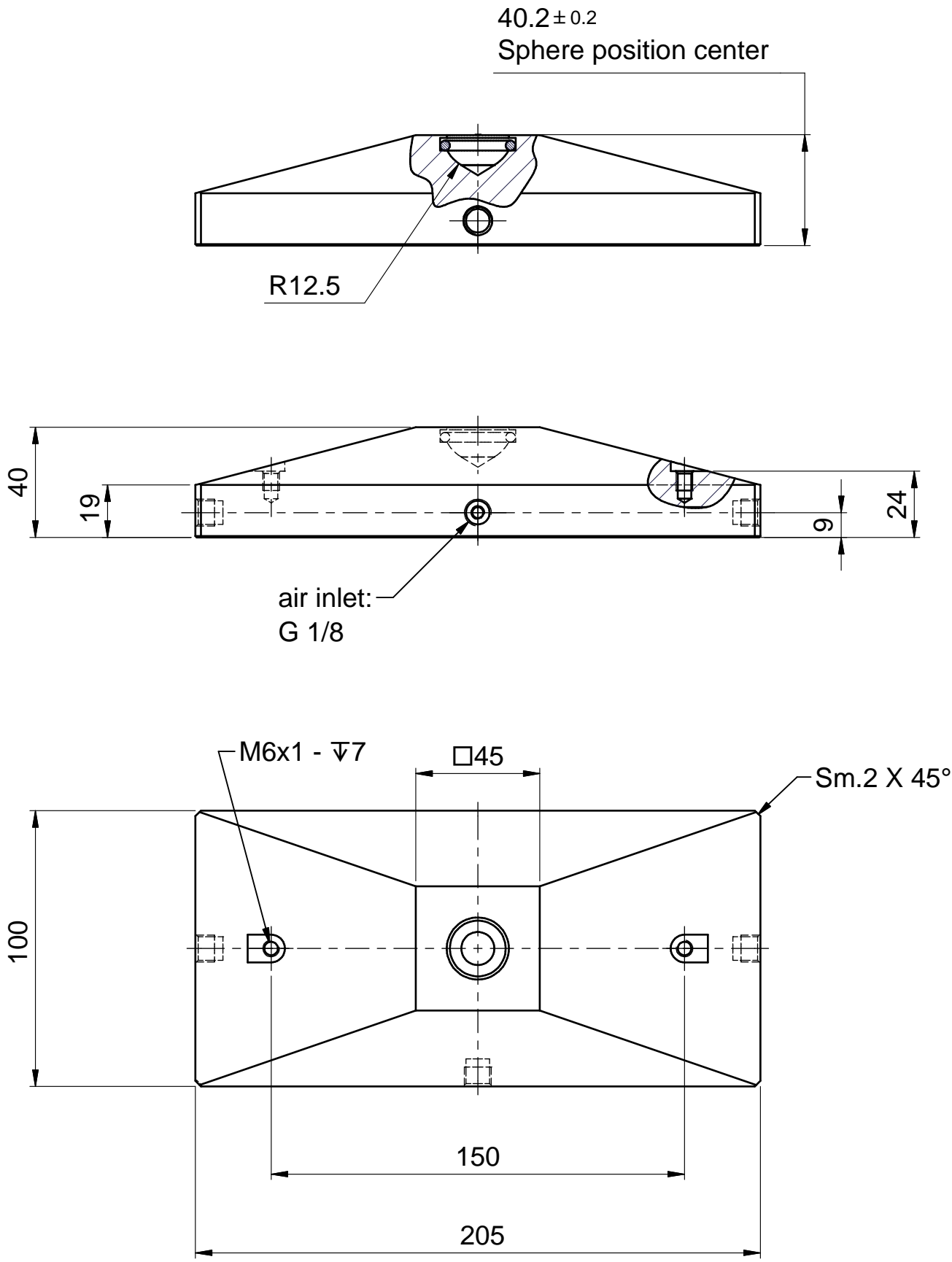



THIS DRAWING AND SPECIFICATION ARE PROPERTY OF MAGER S.p.A. AND MUST NOT BE REPRODUCED OR COPIED OR USED IN WHOLE OR IN PART WITHOUT WRITTEN PERMISSION FROM MAGER



 MAGER s.r.l. air bearings	HPR4.6 100x205x40.0A-OI12.5-I3G8-2M6-00				
	CODICE	MODIFICA	UNITA' DIM.	MASSA	SCALA
WF10100P17000		mm	1,581 kg	1:2	