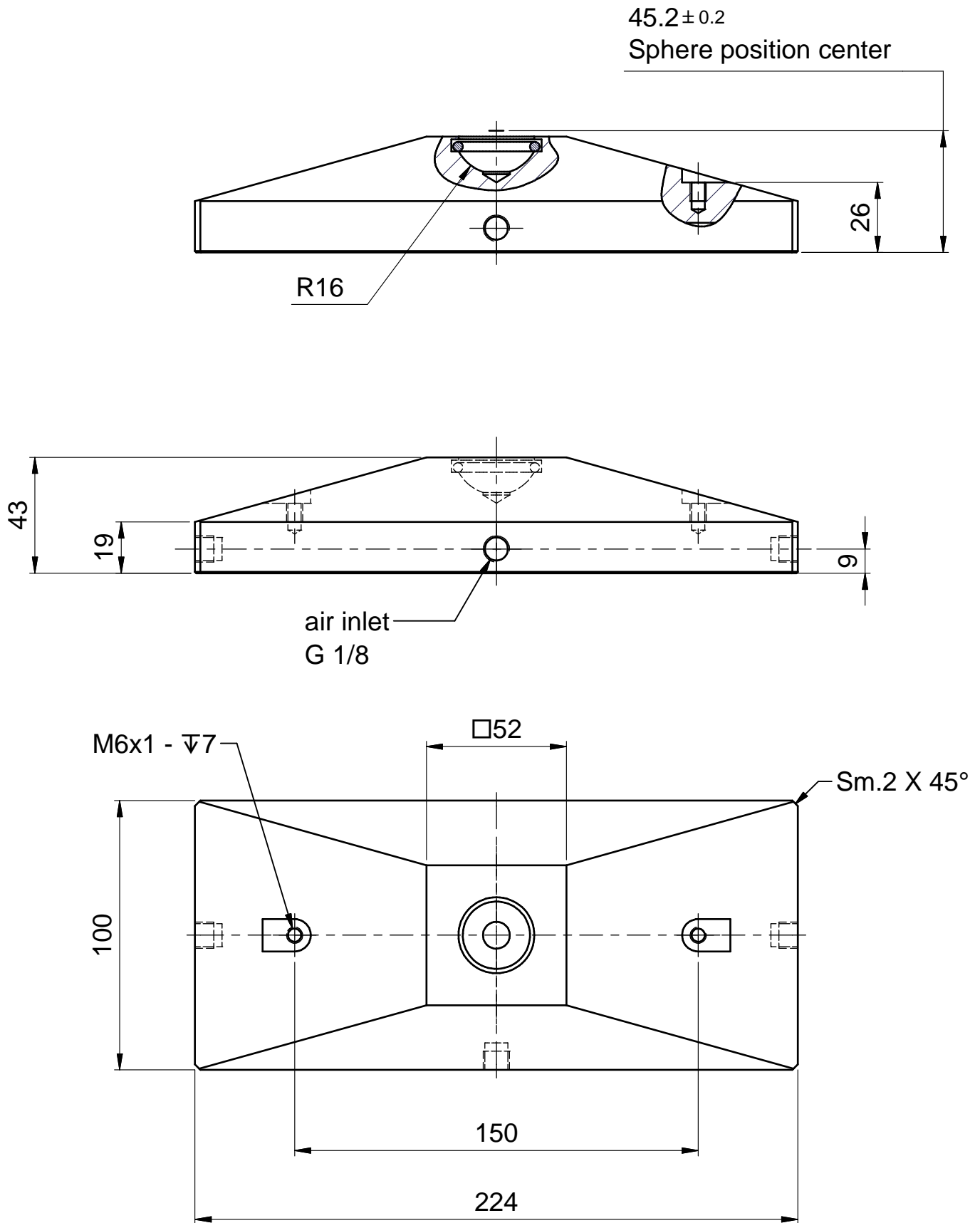



THIS DRAWING AND SPECIFICATION ARE PROPERTY OF MAGER S.p.A. AND MUST NOT BE REPRODUCED OR COPIED OR USED IN WHOLE OR IN PART WITHOUT WRITTEN PERMISSION FROM MAGER



 s.r.l. air bearings	HPR5.0 100x224x43.0A-OI16.0-I3G8-2M6-00				
	CODICE WF10100P18000	MODIFICA	UNITA' DIM. mm	MASSA 1.837 kg	SCALA 1:2