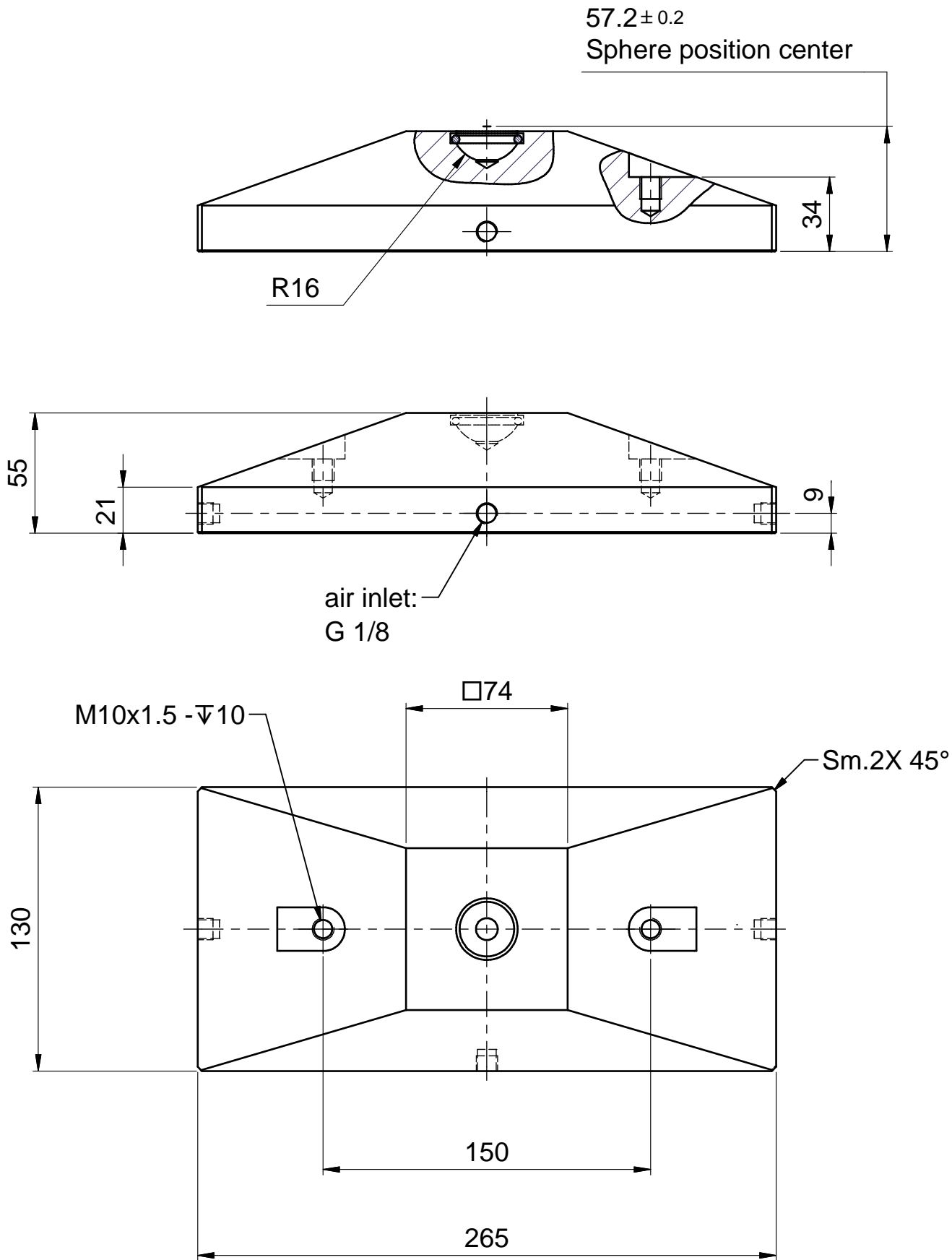


THIS DRAWING AND SPECIFICATION ARE PROPERTY OF MAGER S.p.A. AND MUST NOT BE REPRODUCED OR COPIED OR USED IN WHOLE OR IN PART WITHOUT WRITTEN PERMISSION FROM MAGER



|                                     |   |          |             |          |       |
|-------------------------------------|---|----------|-------------|----------|-------|
| <b>MAGER</b> s.r.l.<br>air bearings | HPR5.6 130x265x55.0A-OI16.0-I3G8-2M1-00 |          |             |          |       |
|                                     | CODICE                                  | MODIFICA | UNITA' DIM. | MASSA    | SCALA |
|                                     | WF10100P21000                           |          | mm          | 3.570 kg | 1:2.5 |
|                                     |   |          |             |          |       |