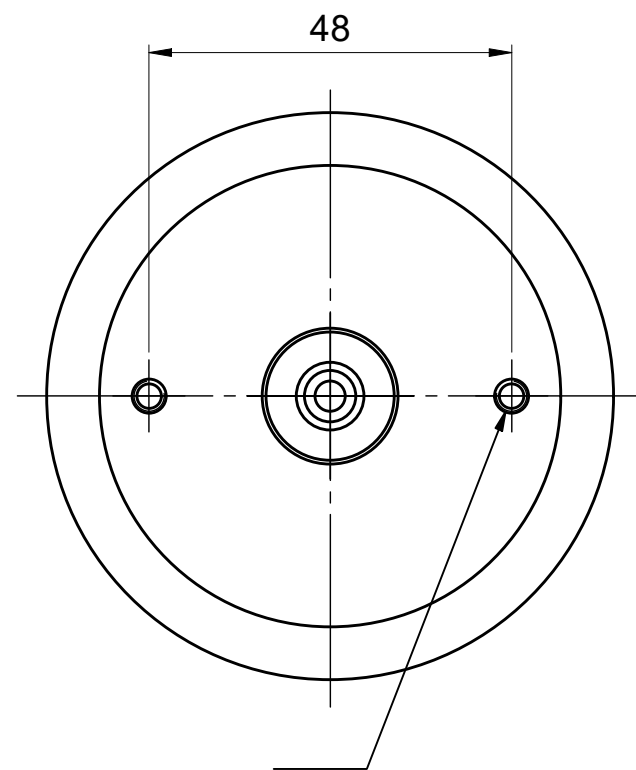
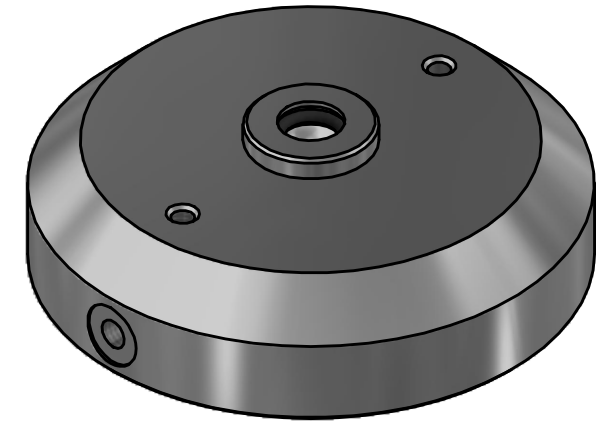
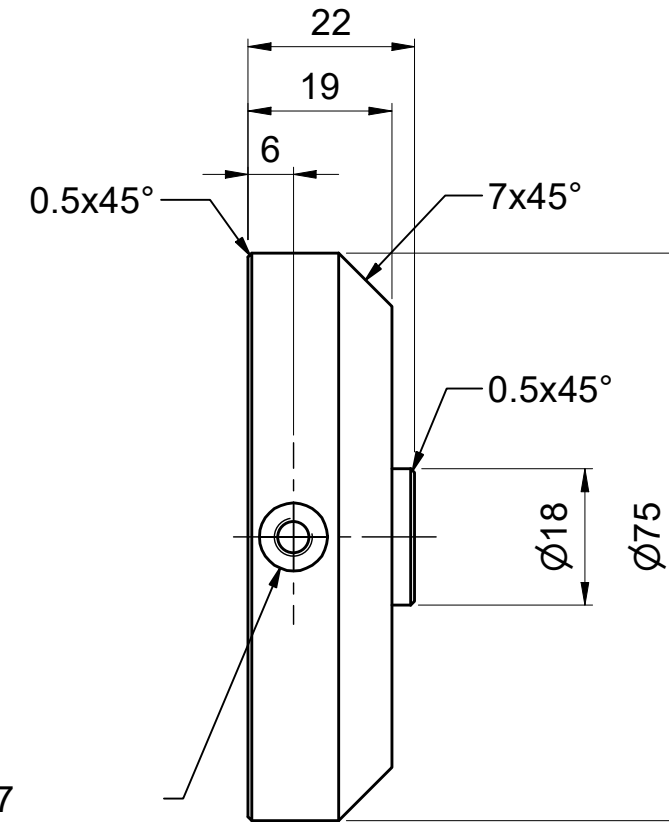


P-KIT [B2] not included.
To be ordered separately.
Custom P-KIT on request.



2x M4x0.7 ∇ 6
THREADED HOLE
FOR COUNTER ROTATION PIVOT



* M5x0.8 ∇ 7
PRESSURE PORT

* NOTE:
The air bearings are supplied with the pressure ports closed
Remove the relative taps before use according to the pneumatic connection needs (series or parallel)

GENERAL TOLERANCES - FOR FEATURES WITHOUT SPECIFIC TOLLERANCE INDICATION ACCORDING TO ISO 2768 - mH					
GENERAL TOLERANCES FOR THREADS ISO 965-1 GAS ISO 228/1					
	HPC2.4 FLAT ROUND AIR BEARING D075x22				RELEASE DATE
					03/12/2020
CODE	RELEASE	MEAS.UNIT	MASS	SCALE	
WF10200P05000	A	mm	0,225 kg	1 : 1	

This drawing contains information which are property of Mager srl.
Any total or partial reproduction, disclosure, copy or use of this drawing or the information contained herein is expressly prohibited without prior written permission from Mager srl.
MAGER reserves also the right to change or update his products at its sole discretion at any time and without further notice.