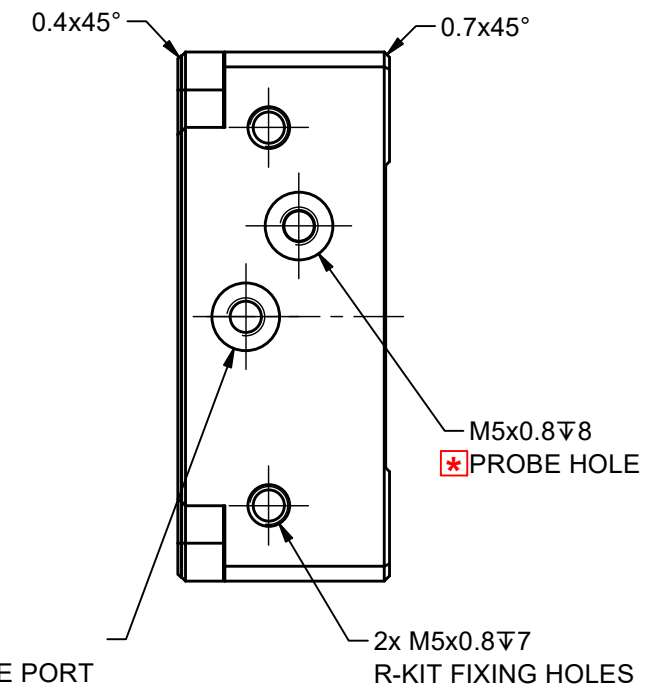
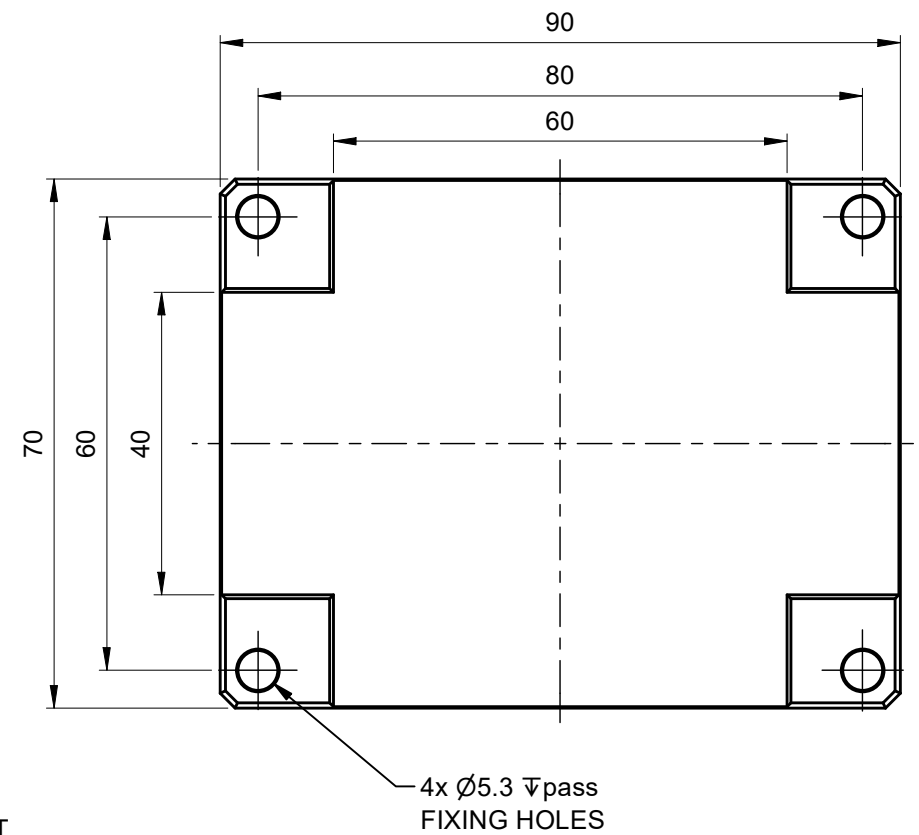
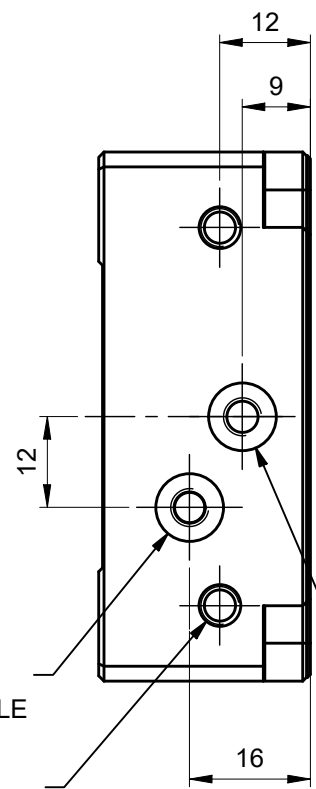
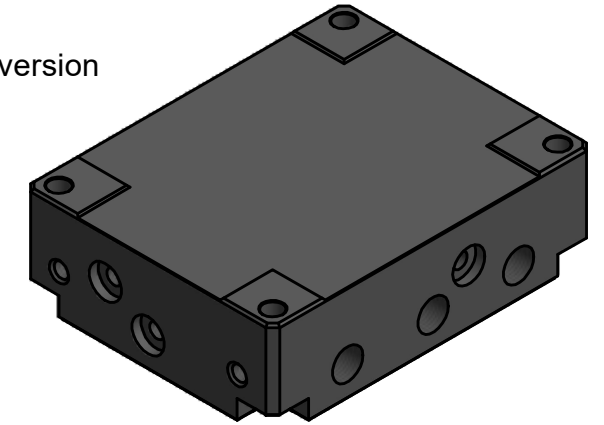
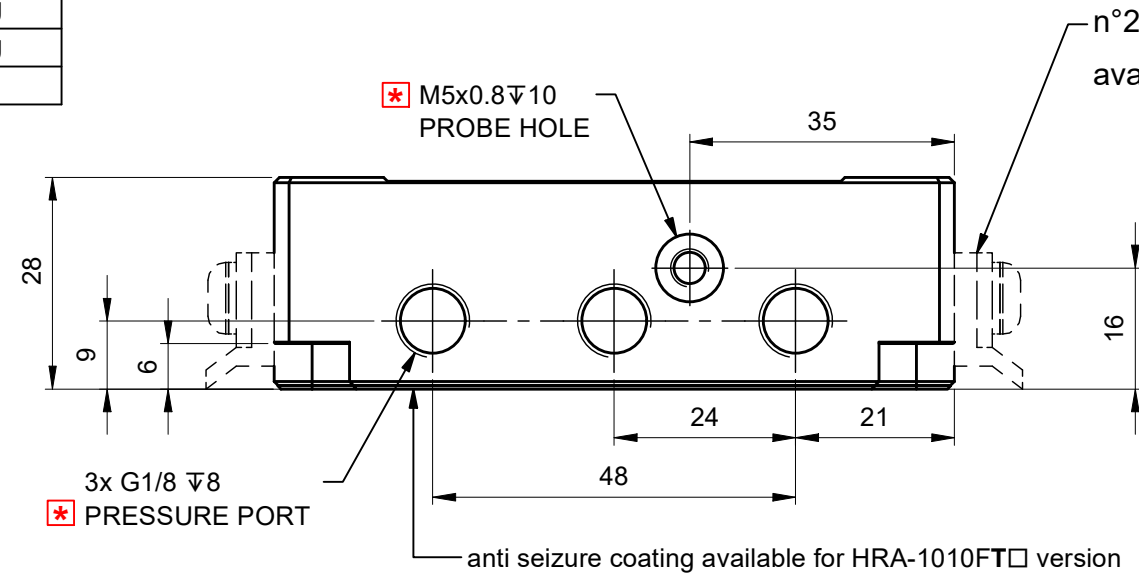


HOW TO ORDER

CODE	DESCRIPTION	VERSION
WF10100H31001	HRA-1010FAN	without R-KIT, without antiseizure coating
WF10100H310T1	HRA-1010FTN	without R-KIT, with antiseizure coating
WF10101H31001	HRA-1010FAW	with R-KIT, without antiseizure coating
WF10101H310T1	HRA-1010FTW	with R-KIT, with antiseizure coating



M5x0.8 $\nabla$ 8  
\* PROBE HOLE

2x M5x0.8 $\nabla$ 7  
R-KIT FIXING HOLES

M5x0.8 $\nabla$ 8  
\* PRESSURE PORT

4x Ø5.3 $\nabla$ pass  
FIXING HOLES

M5x0.8 $\nabla$ 8  
\* PRESSURE PORT

M5x0.8 $\nabla$ 8  
\* PROBE HOLE

2x M5x0.8 $\nabla$ 7  
R-KIT FIXING HOLES

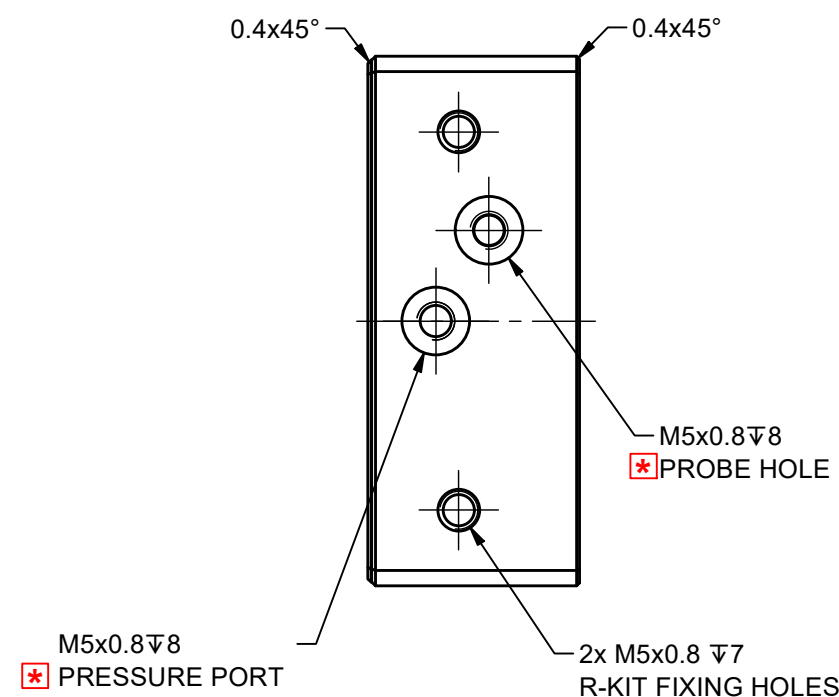
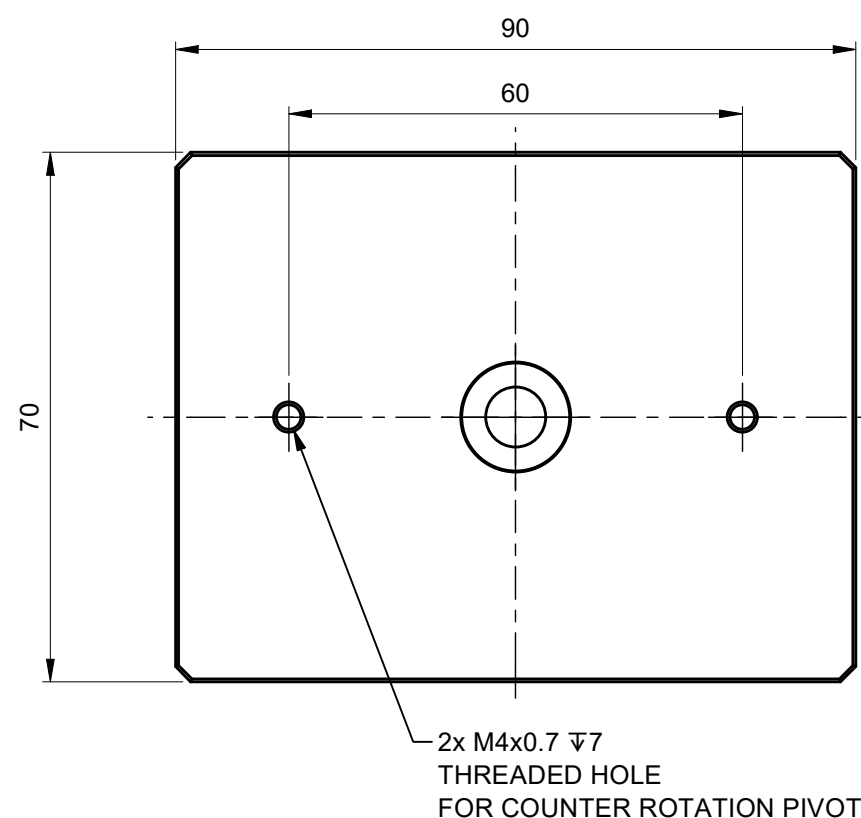
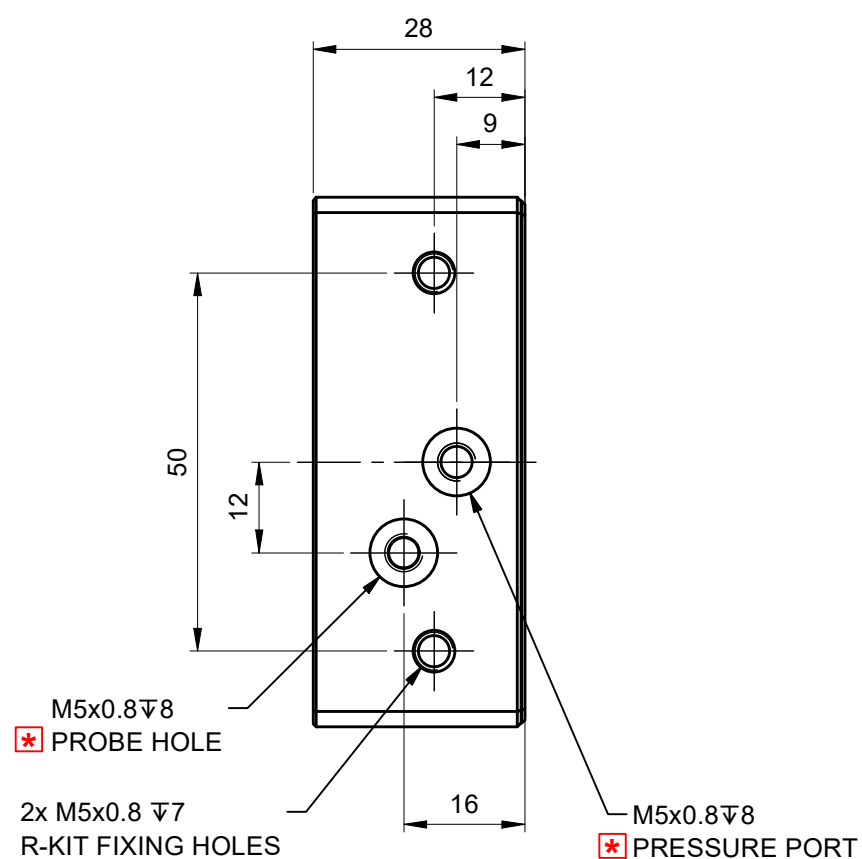
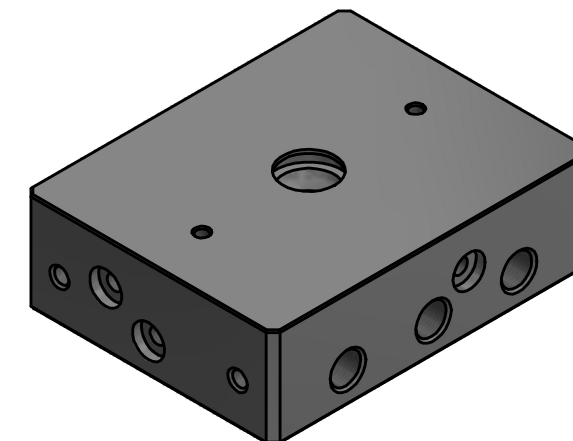
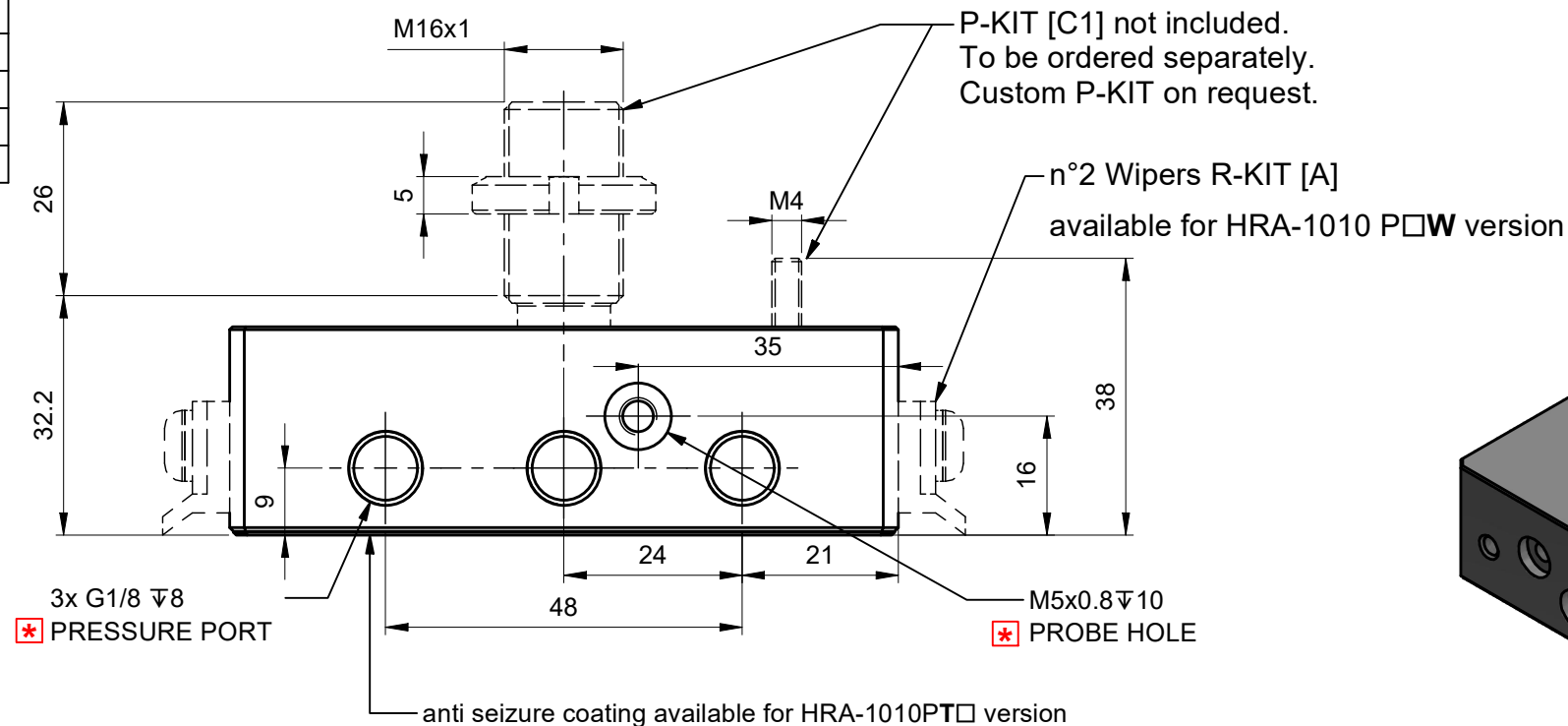
\* NOTE:  
The air bearings are supplied with the pressure ports and probe hole closed  
Remove the relative taps before use according to the pneumatic connection needs (series or parallel)

GENERAL TOLERANCES - FOR FEATURES WITHOUT SPECIFIC TOLLERANCE INDICATION ACCORDING TO ISO 2768 - mH					
GENERAL TOLERANCES FOR THREADS ISO 965-1 GAS ISO 228/1					
	AIRPAD HRA-1010F□□070x090x28.0				RELEASE DATE
					19/02/2021
CODE	RELEASE	MEAS.UNIT	MASS	SCALE	
WF10100H31000	A	mm	0,484 kg	1:1	

This drawing contains information which are property of Mager srl.  
Any total or partial reproduction, disclosure, copy or use of this drawing or the information contained herein is expressly prohibited without prior written permission from Mager srl.  
MAGER reserves also the right to change or update his products at its sole discretion at any time and without further notice.

HOW TO ORDER

CODE	DESCRIPTION	VERSION
WF10100H31201	HRA-1010PAN	without R-KIT, without antiseizure coating
WF10100H312T1	HRA-1010PTN	without R-KIT, with antiseizure coating
WF10101H31201	HRA-1010PAW	with R-KIT, without antiseizure coating
WF10101H312T1	HRA-1010PTW	with R-KIT, with antiseizure coating



\* NOTE:  
The air bearings are supplied with the pressure ports and probe hole closed  
Remove the relative taps before use according to the pneumatic connection needs (series or parallel)

GENERAL TOLERANCES - FOR FEATURES WITHOUT SPECIFIC TOLLERANCE INDICATION ACCORDING TO ISO 2768 - mH					
GENERAL TOLERANCES FOR THREADS ISO 965-1 GAS ISO 228/1					
	AIRPAD HRD-1010P□□070x090x28.0				RELEASE DATE
					19/02/2021
CODE	RELEASE	MEAS.UNIT	MASS	SCALE	
WF10100H31201	A	mm	0,521 kg	1:1	

This drawing contains information which are property of Mager srl.  
Any total or partial reproduction, disclosure, copy or use of this drawing or the information contained herein is expressly prohibited without prior written permission from Mager srl.  
MAGER reserves also the right to change or update his products at its sole discretion at any time and without further notice.