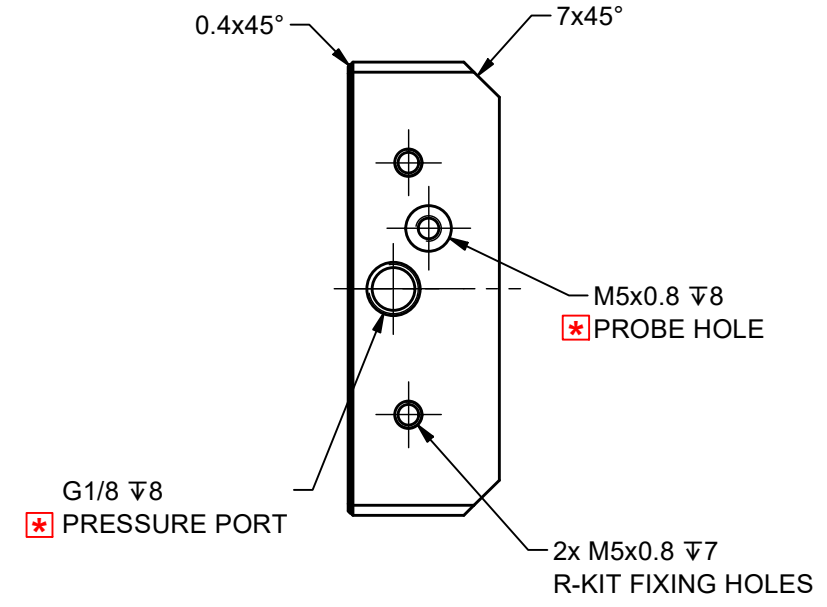
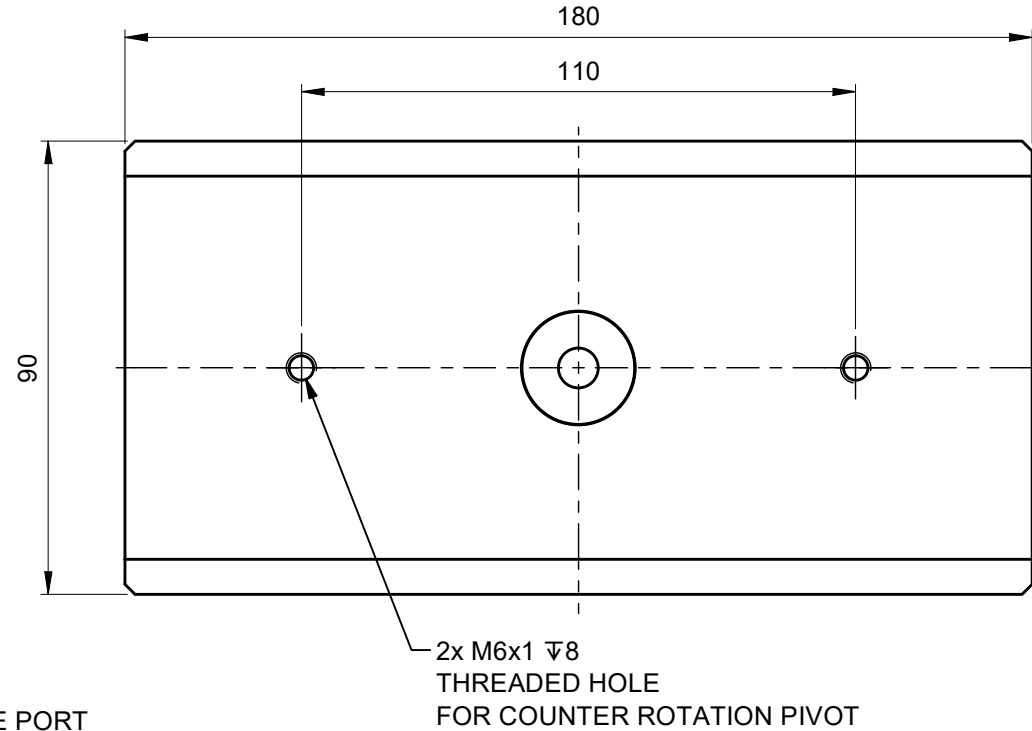
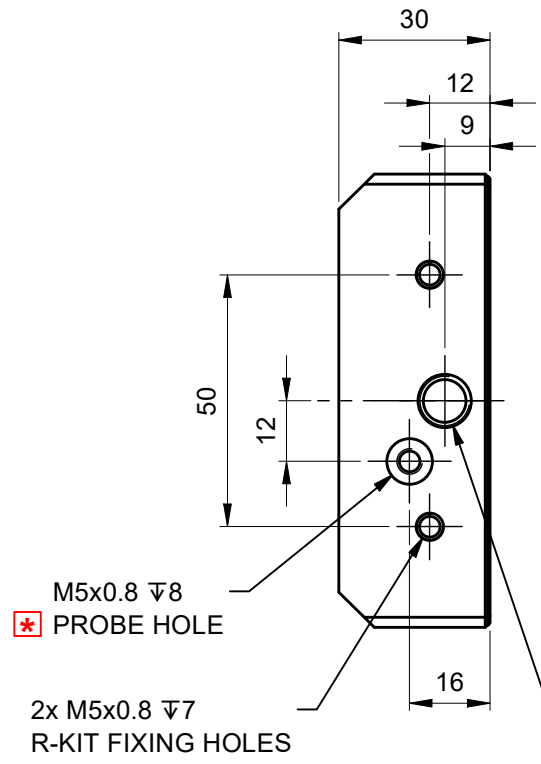
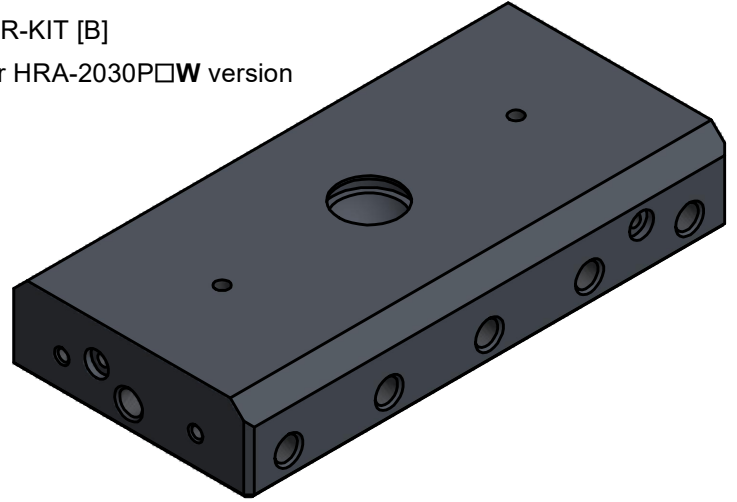
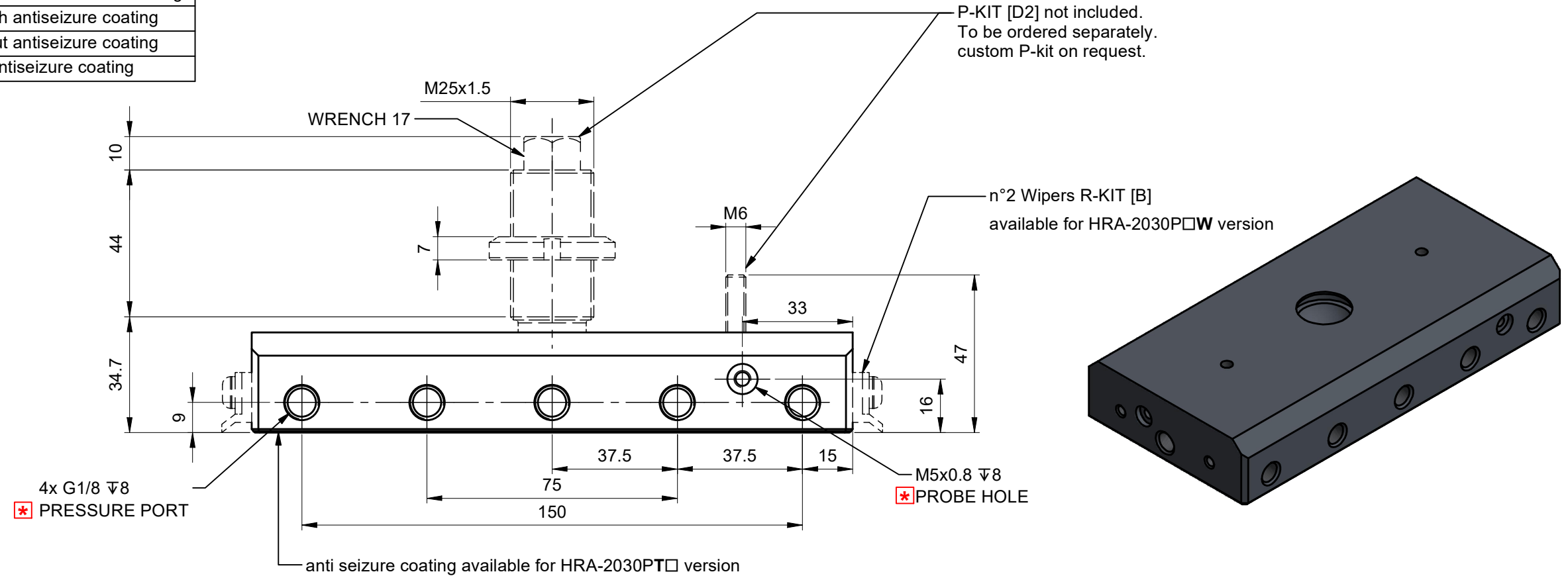


Tabella

CODE	DESCRIPTION	VERSION
WF10300094200	HRA-2030PAN	without R-KIT, without antiseizure coating
WF10300094200	HRA-2030PTN	without R-KIT, with antiseizure coating
WF103010942T0	HRA-2030PAW	with R-KIT, without antiseizure coating
WF103010942T0	HRA-2030PTW	with R-KIT, with antiseizure coating



*** NOTE:**
The air bearings are supplied with the pressure ports and probe hole closed
Remove the relative taps before use according to the pneumatic connection needs (series or parallel)

GENERAL TOLERANCES - FOR FEATURES WITHOUT SPECIFIC TOLLERANCE INDICATION ACCORDING TO ISO 2768 - mH					
GENERAL TOLERANCES FOR THREADS ISO 965-1 GAS ISO 228/1					
	AIRPAD HRA-2030P□□090x180x30				RELEASE DATE
					19/02/2021
CODE	RELEASE	MEAS.UNIT	MASS	SCALE	
WF103000942T0	A	mm	1,403 kg	1:1.5	

This drawing contains information which are property of Mager srl.
Any total or partial reproduction, disclosure, copy or use of this drawing or the information contained herein is expressly prohibited without prior written permission from Mager srl.
MAGER reserves also the right to change or update his products at its sole discretion at any time and without further notice.